



500 W 0.15 - 0.30 GHz

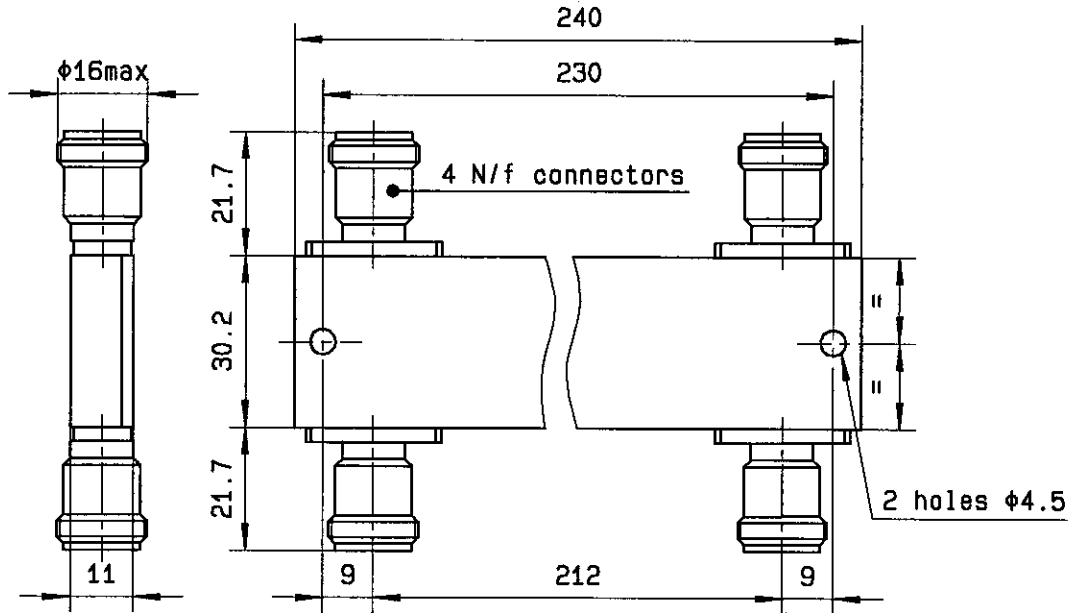
3dB

HYBRID COUPLER

issue  
20.feb.95

Page  
1 / 1

**DRAWING**



General tolerances: +/- 0.5 mm

**R F CHARACTERISTICS**

FREQUENCY RANGE	: 0.15-0.30GHz
IMPEDANCE	: 50 Ohms
NOMINAL COUPLING	: 3 dB
AMPLITUDE BALANCE	: $\pm 0.5$ dB
PHASE BALANCE	: $90^\circ \pm 5^\circ$
ISOLATION	: $\geq 30$ dB
INSERTION LOSS	: $\leq 0.3$ dB
V.S.W.R	: $\leq 1.15$
AVERAGE POWER at 25°C	: 500 W
PEAK POWER at 25°C (1 $\mu$ s,1%)	: 5 kW

**MECHANICAL CHARACTERISTICS**

CONNECTORS	: N female per MIL-C 39012
WEIGHT	: < 510 g

**ENVIRONMENTAL CHARACTERISTICS**

OPERATING TEMPERATURE RANGE (°C)	: -25 , +70
STORAGE TEMPERATURE RANGE (°C)	: -25 , +70

**CREATION**

N° :  
 PEN/EP:CAT  
 Name: TB  
 Date: 20.feb.95  
 APP.: VE

ISSUE

REVISIONS

NAME

APPR.

**RADIALL®**

101. rue P. Hoffmann -Z.I Ouest-  
 93116 ROSNY/BOIS Cedex-FRANCE  
 Phone: 33(1)49353535  
 Fax : 33(1)48546363  
 Tvx RADIA 235220F

This information is given as an indication. In the continual goal to improve our products, we reserve the right to make any modifications judged necessary

4112-9212